



## **VALV aseptic PNSYS**

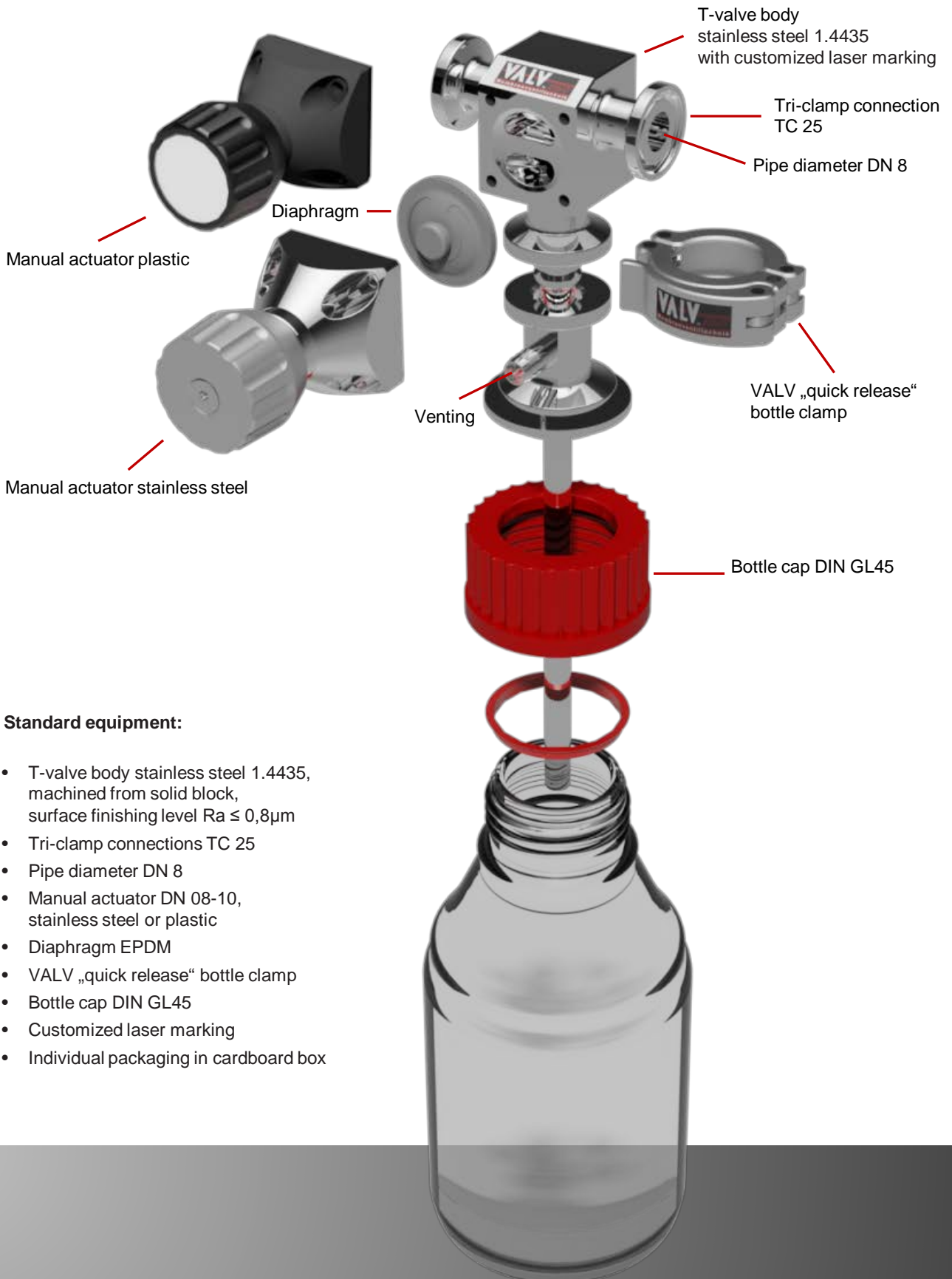
**Safe,  
Simple &  
Smart**

way of

**Sample Taking**

**Technical Information**

## System Overview



### Standard equipment:

- T-valve body stainless steel 1.4435, machined from solid block, surface finishing level  $Ra \leq 0,8\mu m$
- Tri-clamp connections TC 25
- Pipe diameter DN 8
- Manual actuator DN 08-10, stainless steel or plastic
- Diaphragm EPDM
- VALV „quick release“ bottle clamp
- Bottle cap DIN GL45
- Customized laser marking
- Individual packaging in cardboard box

VALV **aseptic PNSYS** is a proven system for taking samples from product lines, particularly in pharmacy, biotechnology, chemistry as well as food and beverage.

The special manufacturing technology of VALV **aseptic** valve bodies which are machined from one solid block ensures void-free and absolutely homogeneous surfaces. In conjunction with the dead-space-free design residue-free emptying and easy cleaning are ensured.

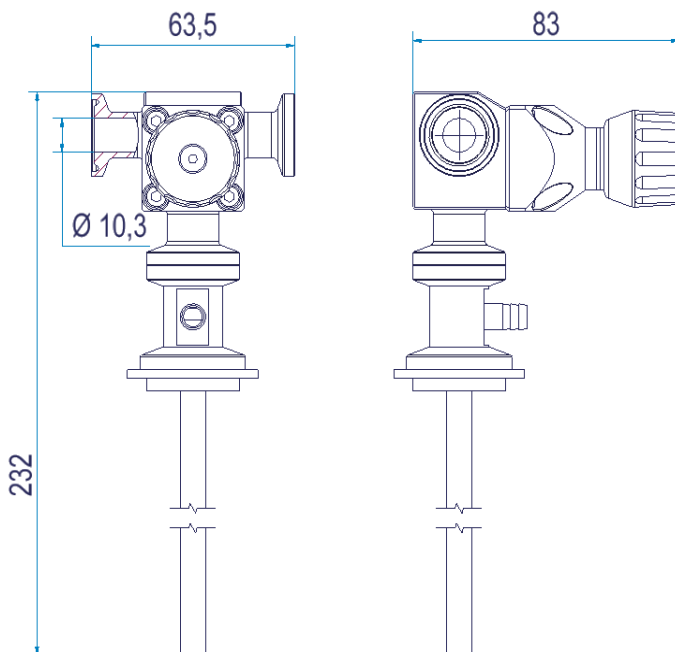
According to customer requirements and the area of applications VALV **aseptic PNSYS** can be variably configured for various facilities and pipeline sections.

### Authentication and Certificates

3.1.B certificates of compliance for the valve bodies and FDA declarations of conformity for selected diaphragms are available upon request.

### Diaphragms

VALV **aseptic PNSYS** can be equipped with a variety of diaphragms. Please see the materials and specifications from the table below.



#### The advantages in a nutshell:

- Valve body machined from one solid block
- 100% homogenous material - Pore and crack-free, no internal material movement or varying density
- Self-draining, dead-space-free design
- Optimized streamlined fluid flow, minimized swirlings
- Few parts, reliable operations
- Harmonized system, easy assembly
- Low documentation efforts (only one certificate for valve body)
- Totally closed design, easy to clean, autoclavable up to 130°C

| Material       | Temperature in C° | Hydro-carbons |      |      |              |      |       |           |          |             |    | Over stretching | Abrasion resistance | Rebound elasticity | FDA |
|----------------|-------------------|---------------|------|------|--------------|------|-------|-----------|----------|-------------|----|-----------------|---------------------|--------------------|-----|
|                |                   | Water         | Acid | Base | Oil + Grease | Fuel | Ozone | aliphatic | aromatic | chlorinated |    |                 |                     |                    |     |
| EPDM           | -30 / +150        | ++            | ++   | ++   | -            | -    | ++    | -         | -        | -           | +  | +               | +                   | yes                |     |
| TFM / EPDM     | -20 / +150        | ++            | ++   | ++   | ++           | ++   | ++    | ++        | ++       | ++          | +  | +               | +                   | yes                |     |
| FPM (Viton)    | -30 / +200        | +             | +    | +    | ++           | ++   | ++    | ++        | ++       | ++          | +  | +               | -                   | on request         |     |
| VMQ (Silicon)  | -50 / +200        | +             | *    | +    | +            | -    | +     | -         | -        | -           | -  | *               | +                   | yes                |     |
| NR (Rubber)    | -30 / +80         | +             | *    | +    | -            | -    | -     | -         | -        | -           | ++ | ++              | ++                  | no                 |     |
| NBR (Perbunan) | -40 / +110        | +             | +    | +    | +            | +    | *     | ++        | -        | -           | +  | ++              | +                   | no                 |     |
| HNBR (Therban) | -40 / +150        | +             | +    | +    | +            | +    | *     | ++        | -        | -           | +  | ++              | +                   | no                 |     |
| CSM (Hypalon)  | -20 / +120        | +             | ++   | ++   | +            | -    | ++    | +         | -        | -           | +  | +               | -                   | no                 |     |
| CR (Neoprene)  | -30 / +120        | ++            | +    | +    | *            | -    | ++    | +         | -        | -           | +  | +               | +                   | no                 |     |

++ excellent; + very good; \* good; - unacceptable

### Highest surface quality

VALV stands for high-grade surface finishes. Our range is from Ra ≤ 0,8µm, down to Ra ≤ 0,2µm.

| Finishing Level | Method                      |
|-----------------|-----------------------------|
| Ra 0,8 µm       | Standard, grinding          |
| Ra 0,8 µm       | Standard, electro polishing |
| Ra 0,6 µm       | Grinding, polishing         |
| Ra 0,6 µm       | plus electro polishing      |
| Ra 0,4 µm       | Grinding, polishing         |
| Ra 0,4 µm       | plus electro polishing      |
| Ra 0,2 µm       | Fine polishing              |
| Ra 0,2 µm       | plus electro polishing      |

Below you find prices and order information for VALV **aseptic PNSYS** in standard configuration.

**Please contact us if you need any other specifications or customized solutions.**

### VALV **aseptic PNSYS / SS**

T-valve body stainless steel 1.4435,  
machined from solid block  
Surface finishing level  $Ra \leq 0,8\mu m$   
Tri-clamp connections TC 25  
Pipe diameter DN 8  
Manual actuator DN 08-10, stainless steel  
Diaphragm EPDM  
VALV „quick release“ bottle clamp  
Bottle cap DIN GL45  
Customized laser marking  
Individual packaging in cardboard box

**We look forward to receiving your order, inquiry or further questions:**

**E-Mail:** valv@ervo.at

**Phone:** +43-(0)5552-67537-825

**please contact us for prices and bulk discounts**

### VALV **aseptic PNSYS / P**

T-valve body stainless steel 1.4435,  
machined from solid block  
Surface finishing level  $Ra \leq 0,8\mu m$   
Tri-clamp connections TC 25  
Pipe diameter DN 8  
Manual actuator DN 08-10, plastic  
Diaphragm EPDM  
VALV „quick release“ bottle clamp  
Bottle cap DIN GL45  
Customized laser marking  
Individual packaging in cardboard box

**please contact us for prices and bulk discounts**

**DURAN®** Laboratory bottle  
DIN thread GL 45, pouring ring ETFE

Diaphragm TFM or FPM

Diaphragms other materials

Surface finishing other levels (down to  $Ra \leq 0,2\mu m$ )

Customized solutions

€ 15,-- / Piece

€ 10,-- / Piece

on request

on request

on request

All prices excluding VAT, customs and shipping.

VALV Membranventiltechnik  
by ERVO GmbH

Kuhbrueckweg 3  
6714 Nueziders / Austria  
Phone: +43 5552 67537-825  
E-Mail: valv@ervo.at  
Web: www.ervo.at/valv